

4

3

2

1

D

D

C

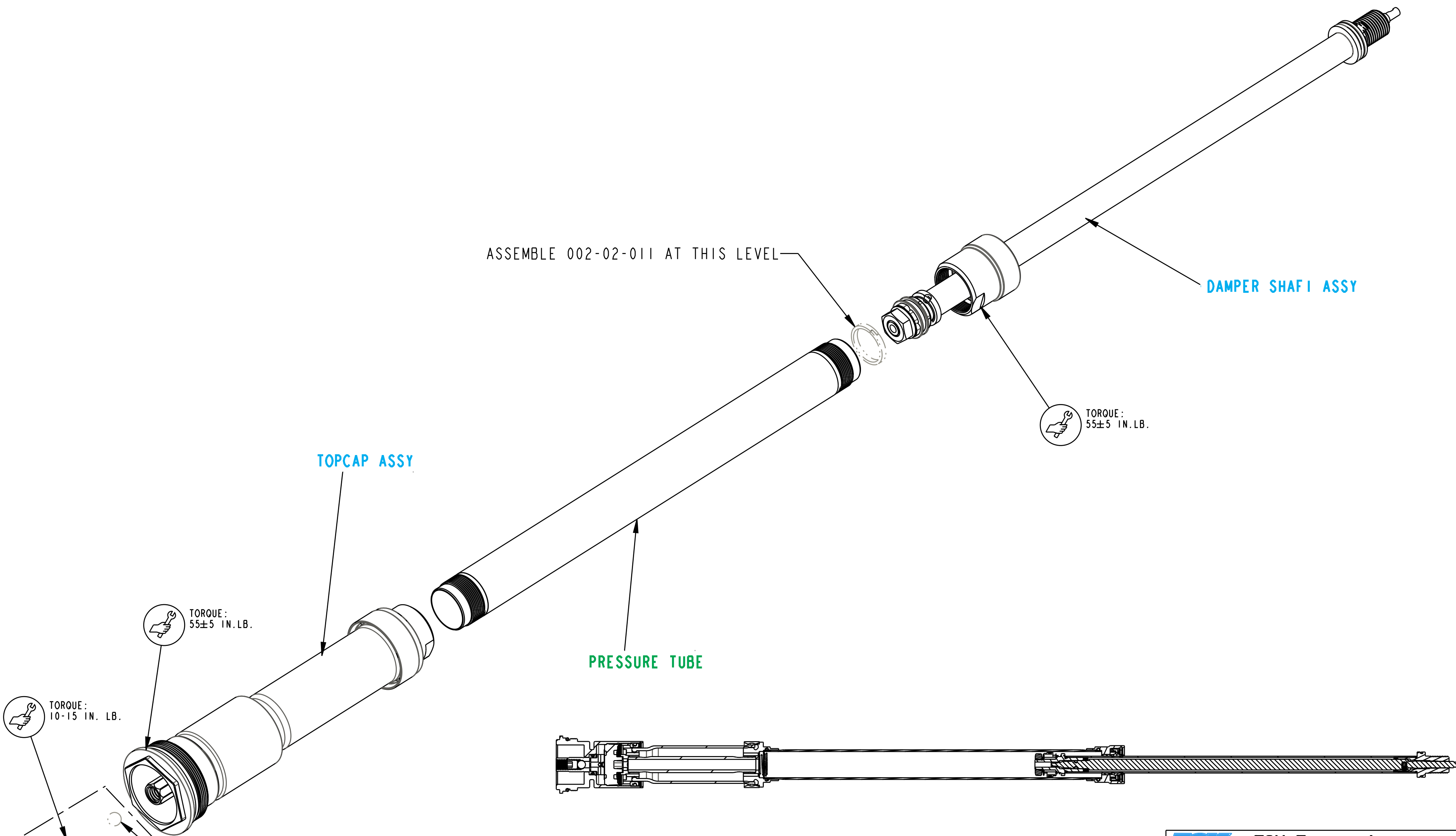
C

B

B

A

A



ASSEMBLE 002-02-011 AT THIS LEVEL

DAMPER SHAFT ASSY

TOPCAP ASSY

PRESSURE TUBE

TORQUE: 55±5 IN. LB.

TORQUE: 55±5 IN. LB.

TORQUE: 10-15 IN. LB.

010-01-001  
Air Valve Parts: Ball [Ø 0.1875] E52100 Grade 25 Steel, Chrome

019-01-107  
Fastener Standard (Metric): Socket Set Screw [M6 X 1.0 x 6.0MM] Flat PT, SST

ASSEMBLE THESE PARTS AFTER OIL FILL

PROPRIETARY - THIS DOCUMENT CONTAINS CONFIDENTIAL, PROPRIETARY INFORMATION THAT IS FOX PROPERTY. DO NOT DISCLOSE TO OR DUPLICATE FOR OTHERS EXCEPT AS AUTHORIZED BY FOX.

**FOX** FOX Factory, Inc. Ph 831-768-1100  
130 Hangar Way, Watsonville, CA 95076 USA Fax 831-768-9312

TITLE  
**2016 32**  
**P-S FIT4 Cart Assy**

SIZE DWG. NO.  
**C**  
PLOT SCALE | .00:1 | SHEET 1 OF 1

4

3

2

1

ProE ASSEM